

Technical data sheet

FireBox T60 with plug-in seals

Item number: 7205730



Halogen-free junction box with pre-mounted, soft plug-in seals, approved for maintaining electrical functionality according to DIN 4102 Part 12. Maintenance of electrical function classes E30 to E90

Fully mounted connection unit made of high-temperature-resistant special ceramic and labelled protective conductor terminals.

Nominal cross-sections: 4 terminals at **6 mm²** each (incl. PE).

High protection rating IP66, impact resistance class IK05.

Details on the cable types and manufacturers can be found in the general construction test certificate of the material testing institute MPA NRW, Erwitte. Number of terminals incl. protective conductor terminal

Internal clearance: 100 x 100 x 48 mm



PP Polypropylene

Master data

Item number	7205730
Type	T60ED 06-2A
Description 1	Junction box
Description 2	for function maintenance
Manufacturer	OBO
Dimension	114x114x57
Colour	Pastel orange; RAL 2003
Material	Polypropylene
Smallest sales unit	3502
Unit of quantity	Piece
Weight	32.27 kg
Weight unit	kg/100 pc.

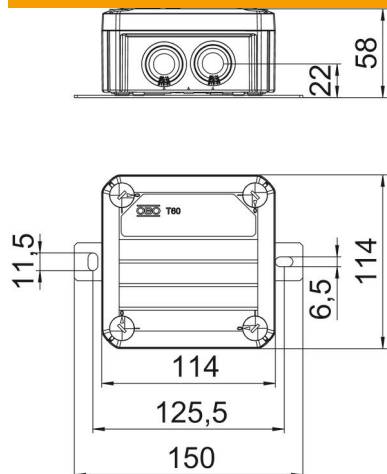
Technical data sheet

FireBox T60 with plug-in seals

Item number: 7205730



Dimensions



Length	114 mm
Width	114 mm
Height	58.6 mm
Dimension B	114 mm
Dimension H	58.6 mm
Dimension L	114 mm
Dimension L1	125.5 mm
Dimension L2	150 mm

Technical data

Expandable	no
Number of terminals	3
Type of housing penetration	Cuttable stepped membrane
Equipment	Terminal
Cover	Not transparent
Cover fastening	Screwed
Entry from rear	no
Entries	7x M25
Explosion-tested version	no
Shape	Rectangular
Maintain electrical functions	E 90
For Ex zone	Without
For Ex zone gas	Without
For Ex zone dust	Without
Halogen-free	yes
Clear internal dimensions	100x100x48 mm
With screening	no
with lid	yes
Nominal cross-section, max.	6 mm ²
Nominal cross-section, min.	1.5 mm ²
Nominal voltage	660 V
Sealable	no
Impact-resistant	no
Protection rating	IP66
Transparent lid	no
Weatherproof	no