

Technical data sheet

Cap nut cable gland, EMC, metric thread, nickel-plated

Item number: 2086219



With metric connecting thread to IEC 423, robust EMV cap-nut cable gland with large sealing area. Strain relief, wringing protection and tightness over the whole clamping area. Neoprene sealing ring. Polyamide terminal insert. With pre-mounted O sealing ring on connection thread, VDE-tested to DIN EN 50262, protection rating IP 68 at 5 bar for 1 hr.

* Prices according to DEL notation.



CuZn
37 Brass

N Nickel-plated

Master data

| | |
|------------------------------------|--------------------------|
| Item number | 2086219 |
| Type | V-TEC VM32 EMV |
| Description 1 | Cable gland EMV |
| Description 2 | for cable with shielding |
| Manufacturer | OBO |
| Dimension | M32 |
| Material | Brass |
| Surface | Nickel-plated |
| Surface standard | |
| Smallest sales unit | 20 |
| Unit of quantity | Piece |
| Weight | 7.662 kg |
| Weight unit | kg/100 pc. |
| CO2 Footprint (GWP) Cradle-to-Gate | 0,1919 kg CO2e / 1 Piece |

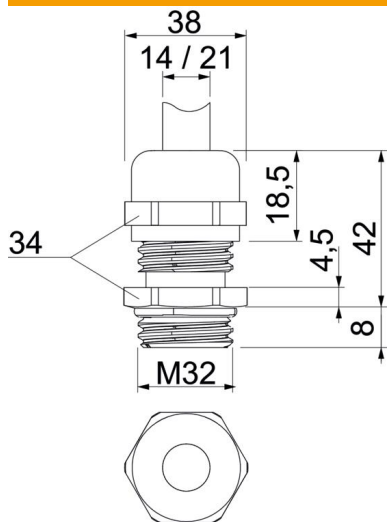
Technical data sheet

Cap nut cable gland, EMC, metric thread, nickel-plated



Item number: 2086219

Dimensions



| | |
|------------------|---------|
| Dimension E | 38 mm |
| Dimension L max. | 42 mm |
| Dimension L1 | 8 mm |
| Dimension L2 | 4.5 mm |
| Dimension L3 | 18.5 mm |

Technical data

| | |
|-----------------------------------|--------------|
| Type of seal | Sealing ring |
| Version for | Straight |
| Bend protection | no |
| Sealing area D, max. | 21 mm |
| Sealing area D, min. | 14 mm |
| Flat cable gland | no |
| For Ex zone | Without |
| Thread | M32 x 1,5 |
| Thread type | Metric |
| Thread length | 8 mm |
| Fibre-glass reinforced | no |
| Halogen-free | no |
| Unstable torque | 12 Nm |
| Impact category | 6 |
| Strain relief category | A |
| Sealing insert, multiple | no |
| With locknut | no |
| Impact-resistant | no |
| WAF | 34 |
| Protection rating | IP68 |
| Permitted temperature range, max. | 100 °C |
| Permitted temperature range, min. | -20 °C |
| Strain relief option | yes |