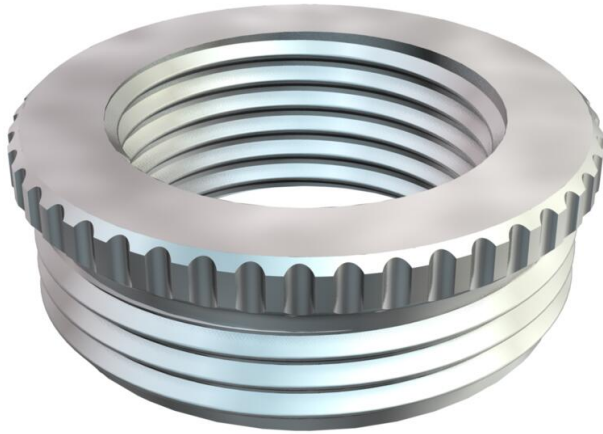


# Technical data sheet

Reduction, PG thread

Item number: 2089319



Reduction (Part H) to DIN 46320, with Pg thread to DIN 40430, as a transition from a PG thread hole to a smaller cable gland.

\* Prices according to DEL notation.



**CuZn**  
37 Brass

**N** Nickel-plated

## Master data

Item number	2089319
Type	167 R MS PG29-21
Description 1	Reduction
Manufacturer	OBO
Dimension	PG29-PG21
Material	Brass
Surface	Nickel-plated
Surface standard	
Smallest sales unit	50
Unit of quantity	Units
Weight	4,273 kg
Weight unit	kg/100 pairs
CO2 Footprint (GWP) Cradle-to-Gate	0,0988 kg CO2e / 1 Piece

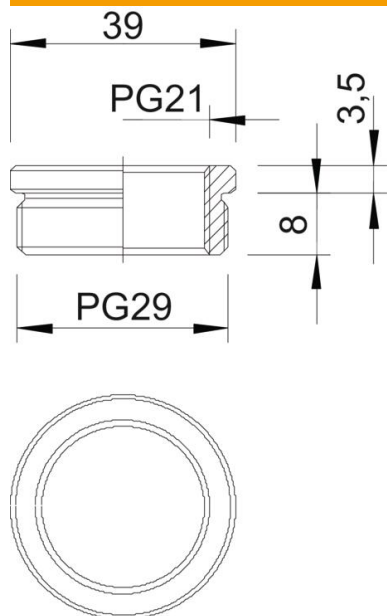
# Technical data sheet

Reduction, PG thread

Item number: 2089319



## Dimensions



Dimension D	39 mm
Dimension L1	8 mm
Dimension L2	3,5 mm

## Technical specifications

explosion-proof	no
Thread type: External thread	Pg
Thread type: Internal thread	Pg
Thread length	8 mm
Thread dimension, PG, external	29
Thread dimension, PG, internal	21
Nickel-plated	yes