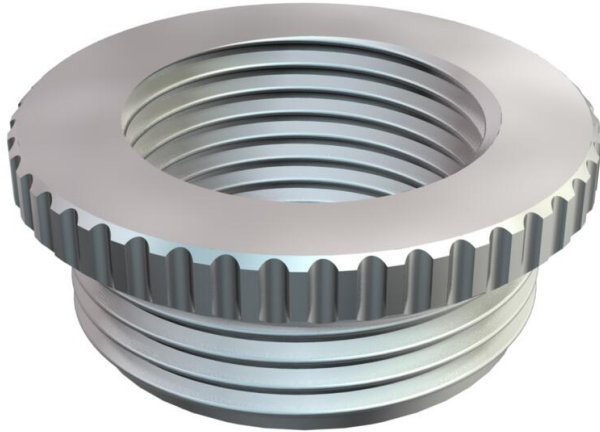


# Technical data sheet

## Reduction, metric thread

Item number: 2089572



Reduction (Part H) in accordance with DIN 46320, with metric thread to DIN EN 60423 or ISO 68.

\* Prices according to DEL notation.



**CuZn**  
37 Brass

**N** Nickel-plated

### Master data

Item number	2089572
Type	167 R MS M32-25
Description 1	Reduction
Manufacturer	OBO
Dimension	M32-M25
Material	Brass
Surface	Nickel-plated
Surface standard	
Smallest sales unit	50
Unit of quantity	Units
Weight	4,5 kg
Weight unit	kg/100 pairs
CO2 Footprint (GWP) Cradle-to-Gate	0,1085 kg CO2e / 1 Piece

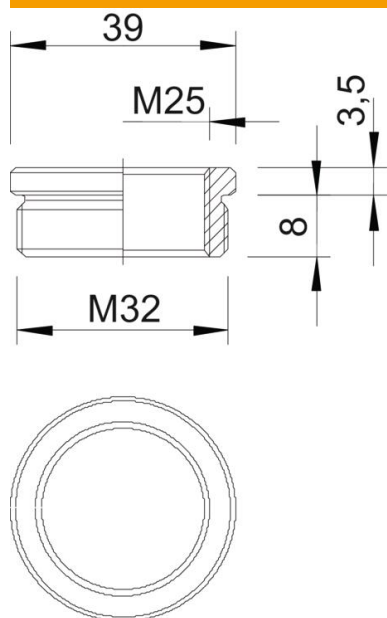
# Technical data sheet

Reduction, metric thread

Item number: 2089572



## Dimensions



Dimension D	39 mm
Dimension L1	8 mm
Dimension L2	3,5 mm

## Technical specifications

explosion-proof	no
Thread type: External thread	Metric
Thread type: Internal thread	Metric
Thread length	8 mm
Thread dimension, metric, external	32
Thread dimension, metric, internal	25
Nickel-plated	yes