

Technical data sheet

Connector, Rd 8–10 mm, double, with pressure trough

Item number: 5304270



- With 2 Fix-Kontakt clamping bolts, nuts and serrated washers
- With pre-mounted pressure trough made of VA
- Corresponds to the requirements of VDE 0185-305 (IEC 62305)



A2 Stainless steel

Master data

Item number	5304270
Type	5002 N-VA
Description 1	Connection terminal
Description 2	For two round conductors
Manufacturer	OBO
Dimension	8-10mm
Material	Stainless steel, rustproof 1.4301
Smallest sales unit	10
Unit of quantity	Units
Weight	16,2 kg
Weight unit	kg/100 pairs
CO2 Footprint (GWP) Cradle-to-Gate	0,9144 kg CO2e / 1 Piece

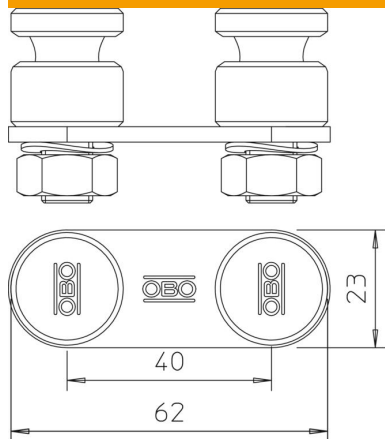
Technical data sheet

Connector, Rd 8–10 mm, double, with pressure trough

Item number: 5304270



Dimensions



Technical specifications

TBS application	Miscellaneous
Type of fastening screw	Clamping screw
Type of connector	Connectors
Lightning current carrying capacity	N/50 kA
Suitable for connection	Round conductor Rd 6–10 / Rd 6–10
Fit	Rd 8-10 mm
Intermediate plate	no